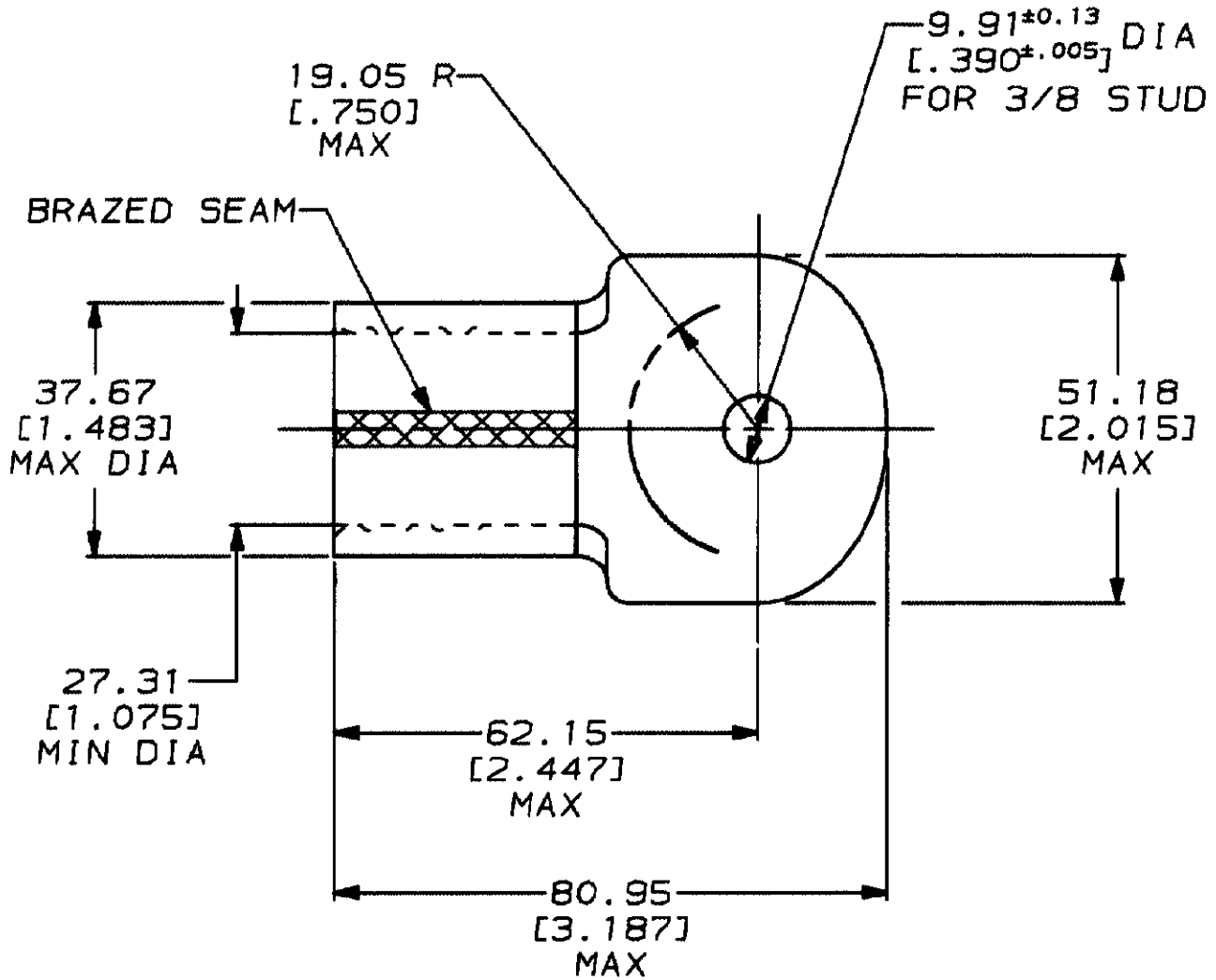


DRAWING MADE IN THIRD ANGLE PROJECTION

THIS DRAWING IS A CONTROLLED DOCUMENT FOR AMP INCORPORATED. IT IS SUBJECT TO CHANGE AND THE CONTROLLING ENGINEERING ORGANIZATION SHOULD BE CONTACTED FOR THE LATEST REVISION.

| LOC | DIST | P | F | LTR | DESCRIPTION | DATE | APPROVED |
|-----|------|---|---|-----|------------------------------|---------|-----------|
| G | 14 | | | D | REVISED & REDRAWN PER G-5803 | 6/12/92 | DKS / AJK |

THIS DRAWING IS UNPUBLISHED. RELEASED FOR PUBLICATION BY AMP INCORPORATED. ALL INTERNATIONAL RIGHTS RESERVED. COPYRIGHT 19



322267
PART NO

DO NOT SCALE PRINT. UNLESS SPECIFIED DIMENSIONS IN mm [IN] TOLERANCES ON:
 2 PLC DEC ± 0.20 [0.008]
 3 PLC DEC * -
 ANGLES * -

MATERIAL
 COPPER ASTM B-152 ANNEALED

FINISH
 TIN PLATE
 0.00254 [0.000100] MIN THK PER MIL-T-10727

DR 6/12/92
 DK SCHRUM

CHK 6/26/92
 RD HEIM

APPD 6/26/92
 AJ KAUFMAN

APPD 6/26/92
 CR RHOADS

PRODUCT SPEC
 -

APPLICATION SPEC
 -

WEIGHT -

AMP AMP Incorporated
 Harrisburg, PA 17105-3608

NAME
 TERMINAL, RING TONGUE, SOLISTRAND™
 WIRE SIZE: 253.0-304.0mm² [500-600] MCM

| | | |
|------------------|--------------------|-------------------------------|
| SIZE A | CAGE CODE 00779 | DRAWING NO C-322267 |
| SCALE 1:1 | SHEET 1 OF 1 | |

AMP 1469-32 REV 3-92

12 JUN 1992 13:56:17 AMP26463 <U5128A>DEPT1123>DWG1123>U SOLISTRAND>O.MCM

CUSTOMER DRAWING